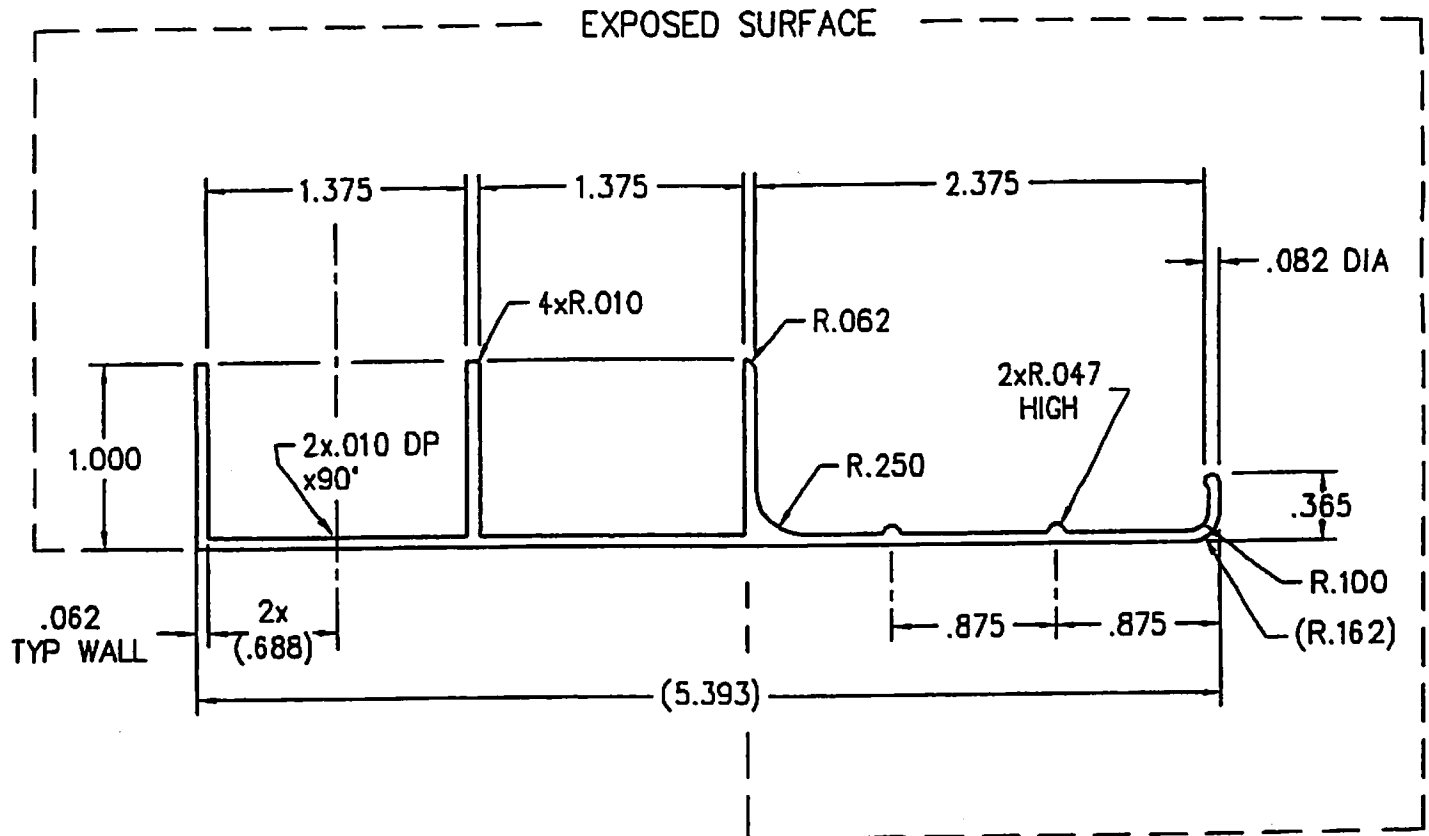


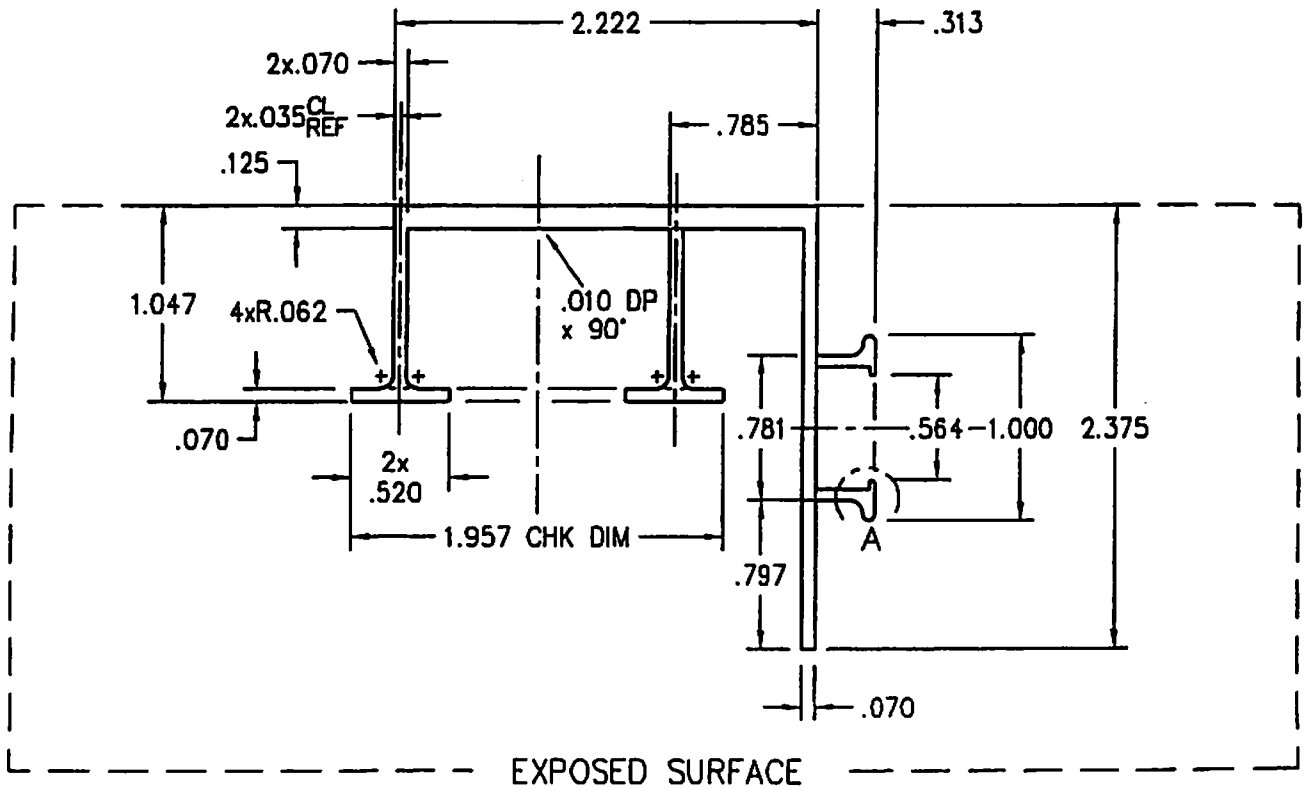
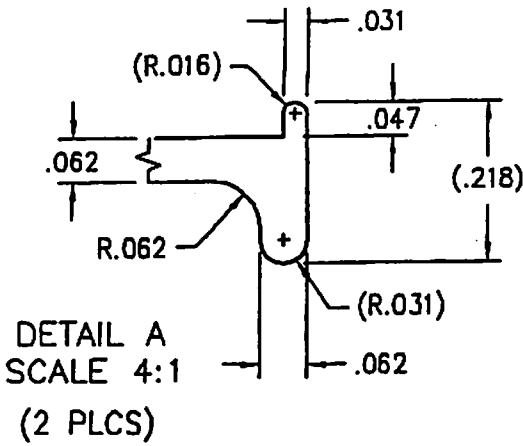
## **HS-2 and HS-3 Recessed Sliding Marker Board Systems Specifications:**

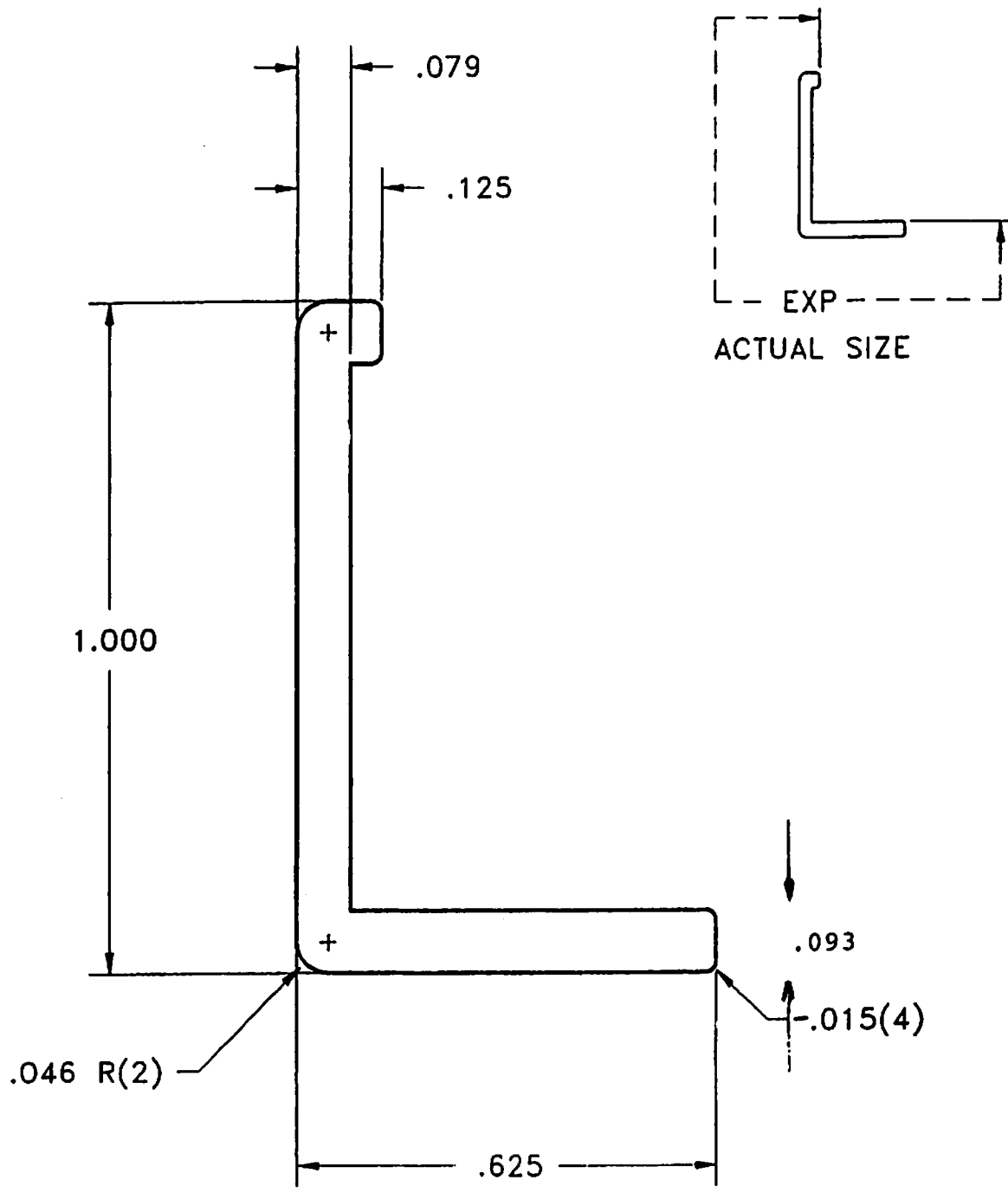
- 1. Sliding Marker Board Surface: Porcelain Ceramic surface is Acid, Fire, Stain, and Scratch resistant. (Pro Steel/K-Pro Specialty Products)  
Aluminum backer (All Foils Inc.)**
- 2. Sliding Marker Boards are available in three cores: particle board, Insulation Board Clay Coated (Emco Industrial) & Honeycomb (Hexacomb Products).**
- 3. Sliding Marker Board carriers: 7000 rollers/7034 mounting bracket (Hettich International).**
- 4. Sliding Marker Board tracks: Top track with map rail and bottom track with integral pentray-aluminum extrusions are manufactured with #6063T5 aluminum alloy with a clear satin anodized finish (Ontario Extrusions Inc.).**
- 5. Standard on Sliding Marker Board systems are aluminum flag holders and map hooks.**
- 6. Note that David M. Bertino Mfg. uses only quality Architectural and Institutional products in the fabrication of the "Sliding Marker Board Systems".**
- 7. "Sliding Marker Board Systems" are installed recessed into casework furnished and installed by David M. Bertino Mfg.**
- 8. Top track with map rail and bottom track with integral pentray profiles/cross sections pictured on "Website"**

"Sliding Marker Board System" double  
bottom track with pentray

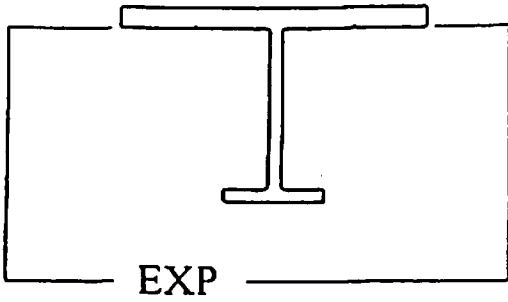


# "Sliding Marker Board System" double upper track with map rail

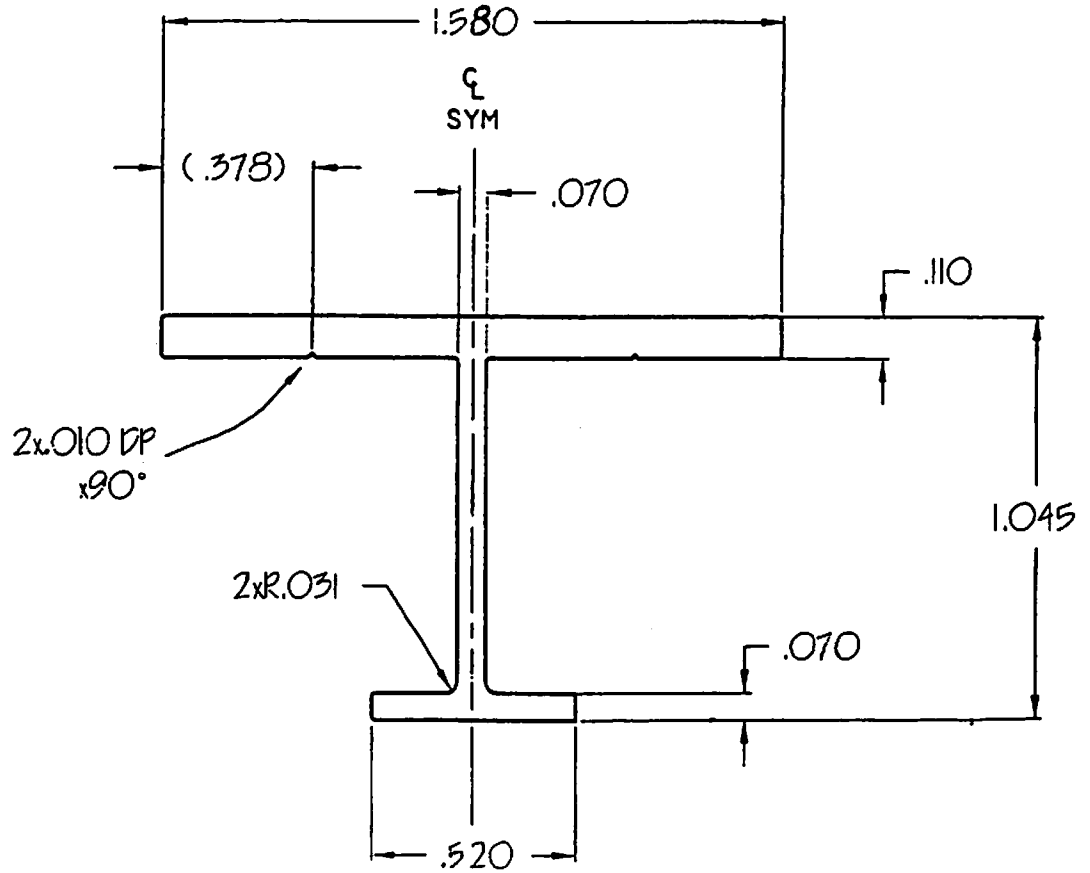




Add this aluminum profile at the back of the double sliding marker board system bottom track with pentray to add up to four tracks for bypassing sliding marker boards. Add one of this profile for an additional track and bypassing sliding marker board doors for a three track system. Add two of this profile for a four track system.



ACTUAL SIZE



Add this aluminum profile at the back of the double sliding marker board system upper track with map rail to add up to Four tracks for bypassing sliding marker boards. Add one of this profile for an additional track and bypassing sliding marker board doors for a three track system. Add two of this profile for a four track system.